



AIR TEK s.r.l.
Via Lovara
36075 Montebelluna Maggiore
Vicenza – Italy

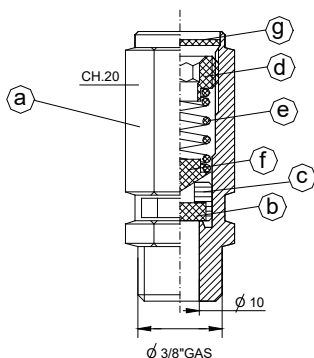
COMPONENTI PNEUMATICI E OLEODINAMICI

CERTIFICATE SECURITY VALVE - VEPA ITEM D101 FOR: COMPRESSED AIR, GAS, STEAM

TYPE 3/8" gas

MATERIALS USED

- a – Body valve: BRASS UNI EN 12164
- b – Rubber gasket: NBR – VITON
- c – Pressure-containing member (shutter):
BRASS UNI EN 12164
- d – Ferrule: BRASS UNI EN 12164
- e – Spring: STEEL C98 UNI 3823
STAINLESS STEEL AISI 302
- f – Pin: BRASS UNI EN 12164
- g – Plate: ALUMINUM
- h – Ring: STEEL C 75 (by request)

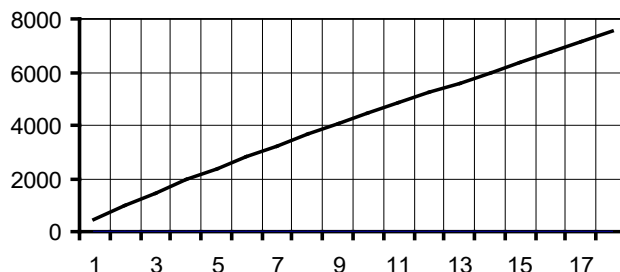


TECHNICAL DATA

- Brand of the manufacturer: Air Tek
- Thread: 3/8" gas
- Inlet nominal pressure: 25 bar
- Hole diameter: 10 mm
- Hole Area: 78.5 mm²
- Employ: air, gas, steam
- Working temperature: NBR -25°C +100° C
VITON -20°C +220° C
- Pressure range: from 0 to 18 bar

PRESSURE AND REAL CAPACITY OF DISCHARGING TABLE AND DIAGRAM

Bar	l /min	bar	l /min	bar	l /min
1	484	7	3231	13	5605
2	969	8	3665	14	5993
3	1453	9	4053	15	6384
4	1938	10	4441	16	6775
5	2369	11	4829	17	7166
6	2800	12	5217	18	7557



The materials used are suitable to work at the aforesaid working conditions and with the mentioned fluids. The identifying technical data are written on the top of the valve plate. The mechanical blocking of the setting is obtained by a glue-sealing (Loctite 270).

The irremovability of the valve is secured by a final punching. The valve has given satisfactory results both, under the final checking of the setting and under the final hydraulic testing carried out at 37.5 bar. The safety valves are produced according to the norm iso 4126/1. Any application is made on the ring (h) (plumbings etc..) it prejudice the functioning of the valve. **AIRTEKs.r.l.**