



**AIR TEK s.r.l.**  
Via Lovara  
36075 Montecchio Maggiore  
Vicenza – Italy

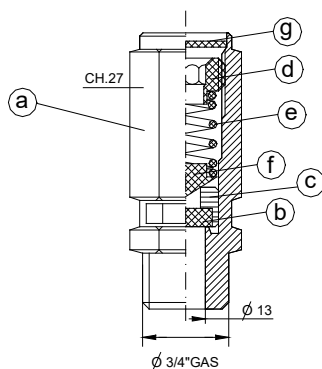
COMPONENTI PNEUMATICI E OLEODINAMICI

**CERTIFICATE**  
**SECURITY VALVE – VEPA ITEM D101**  
**FOR: COMPRESSED AIR, GAS, STEAM**

**TYPE 3/4" gas**

**MATERIALS USED**

- a – Body valve: BRASS UNI EN 12164
- b – Rubber gasket: NBR – VITON
- c – Pressure-containing member (shutter)  
BRASS UNI EN 12164
- d – Ferrule: BRASS UNI EN 12164
- e – Spring: STEEL C98 UNI 3823  
STAINLESS STEEL AISI 302
- f – Pin: BRASS UNI EN 12164
- g – Plate: ALUMINUM
- h – Ring: STEEL C 75 (by request)

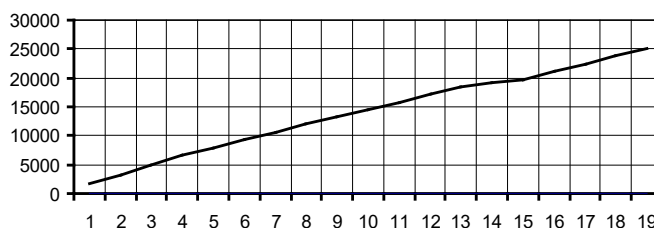


**TECHNICAL DATA**

- Brand of the manufacturer: Air Tek
- Thread: 3/4" gas
- Inlet nominal pressure: 25 bar
- Hole diameter: 13mm
- Hole Area: 132.6 mm<sup>2</sup>
- Employ: air, gas, steam
- Working temperature: NBR -25°C +100° C  
VITON -20°C +220°C
- Pressure range: from 0 to 18 bar

**PRESSURE AND REAL CAPACITY OF DISCHARGING TABLE AND DIAGRAM**

bar	l /min	bar	l /min	bar	l /min
1	1638	7	10666	13	18439
2	3276	8	12039	14	19739
3	4914	9	13239	15	21143
4	6553	10	14539	16	22443
5	7924	11	15839	17	23743
6	9295	12	17139	18	25043



The materials used are suitable to work at the aforesaid working conditions and with the mentioned fluids. The identifying technical data are written on the top of the valve plate. The mechanical blocking of the setting is obtained by a glue-sealing (Loctite 270). The irremovability of the valve is secured by a final punching. The valve has given satisfactory results both, under the final checking of the setting and under the final hydraulic testing carried out at 37.5 bar..